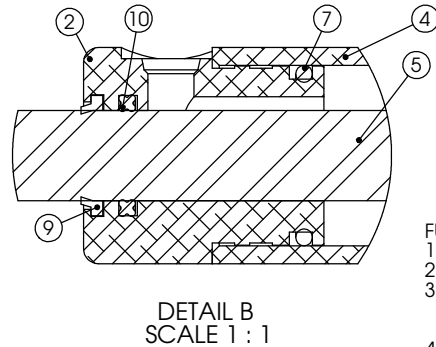
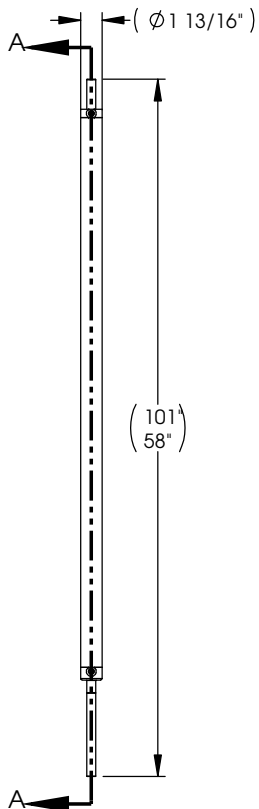
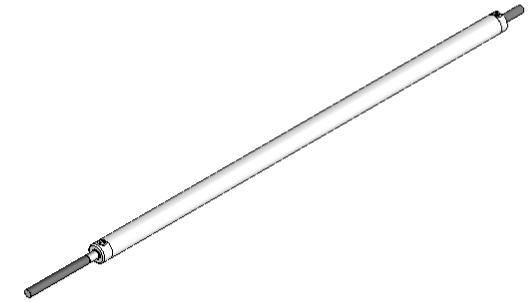
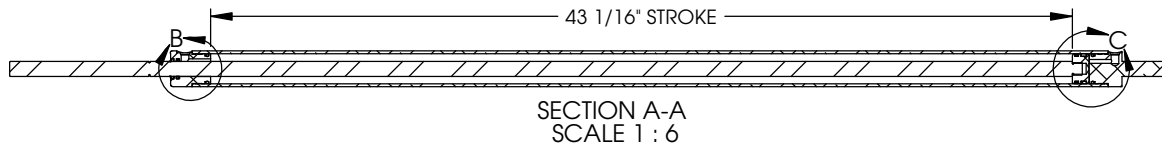


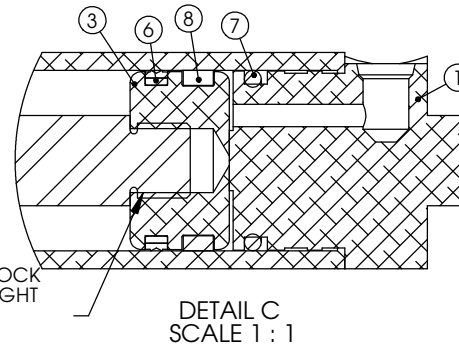
NOTES:

1. 3/4 - 10 NUTS REQUIRED
2. SAE #4 PORT FITTINGS REQUIRED
3. MAX CAPACITY: 4500 LBS
4. CAP/GLAND CRIMP RATING: 7500 PSI

REVISION HISTORY					
REV	DATE	DESCRIPTION	ECN	DWR	APVD
A	7/2/2014	RELEASED TO PRODUCTION	ECN-SP-NP-16755	MTH	MD
B	4/30/2015	UPDATE DESCRIPTION	ECN-SP-DE-14672	KSW	KB



- FULLY COAT THREADS:
1. APPLY 7649 PRIMER
 2. APPLY 263 THREAD LOCK
 3. SCREW ON PISTON TIGHT WITHIN 1 MINUTE OF THREAD LOCK
 4. ALLOW THREAD LOCK TO CURE 12 HOURS PRIOR TO APPLYING HYDRAULIC FLUID



ITEM	PART NO.	CONFIG	DESCRIPTION	NAME	GA	QTY.
1	339026	Default	ACTUATOR, CAP - 1 1/2" BORE	HYD CYLINDER		1
2	339027	Default	ACTUATOR, GLAND - 1 1/2" BORE	HYD CYLINDER		1
3	339030	Default	ACTUATOR, PISTON - 1 1/2" BORE	HYD CYLINDER		1
4	354271	Default	ACTUATOR BODY - 1 1/2" BORE, 43" STROKE, BLACK	HYD CYLINDER		1
5	354272	Default	ACTUATOR, ROD - 750 O.D., 1 1/2" BORE - 43" STROKE	HYD CYLINDER		1
6	335510	Default	PISTON SEAL: 1.500 BORE	HYD FITTING		1
7	335511	Default	O-RING: 1.500 O.D. - 125	HYD FITTING		2
8	339032	Default	WEAR RING: 1.500 BORE X 1.250 I.D., PISTON	HYD FITTING		1
9	339169	Default	WIPER RING: 750 ROD, AN TYPE - 959-05	HYD FITTING		1
10	339170	Default	X-RING: 1.000" OD - 750" ID: XR-210BN90	HYD FITTING		1

TITLE: ALUMINUM HYDRAULIC ACTUATOR, 1 1/2" BORE - 43" STROKE					
UNLESS OTHERWISE SPECIFIED		TOLERANCES (EXCEPT AS NOTED)		LIPPERT COMPONENTS	
1. ALL DIMENSIONS ARE IN INCHES BREAK SHARP EDGES & DEBURR		DECIMAL .X ± .1 .XX ± .03 .XXX ± .005		THE INFORMATION CONTAINED IN THIS DRAWING IS THE SOLE PROPERTY OF LIPPERT COMPONENTS, INC. ANY REPRODUCTION IN PART OR AS A WHOLE WITHOUT THE WRITTEN PERMISSION OF LIPPERT COMPONENTS, INC. IS PROHIBITED.	
2. MATERIAL & FINISH TO BE AS NOTED OR SUBSTITUTED WITH AN APPROVED AND TESTED EQUIVALENT		FRACTIONAL ± 1/16		DWG. NO. 354184	REV. B
FILLETS R.015 FINISH 125		ANGULAR ± 1°		DATE: 07/02/2014	SCALE: 1:10
THIRD ANGLE PROJECTION		2703 COLLEGE AVE GOSHEN, IN 46528		SIZE B	SHEET 1 OF 1
				ENG MTH	DWR MTH