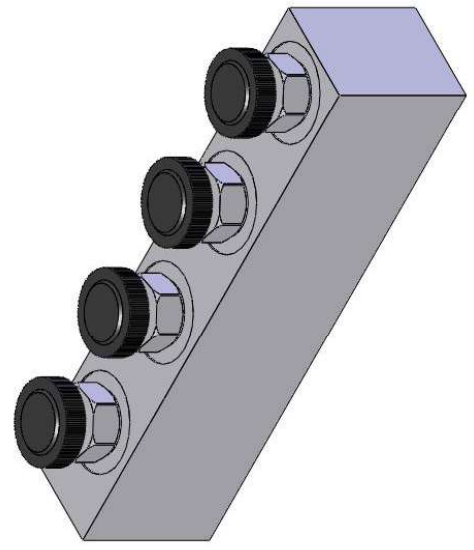
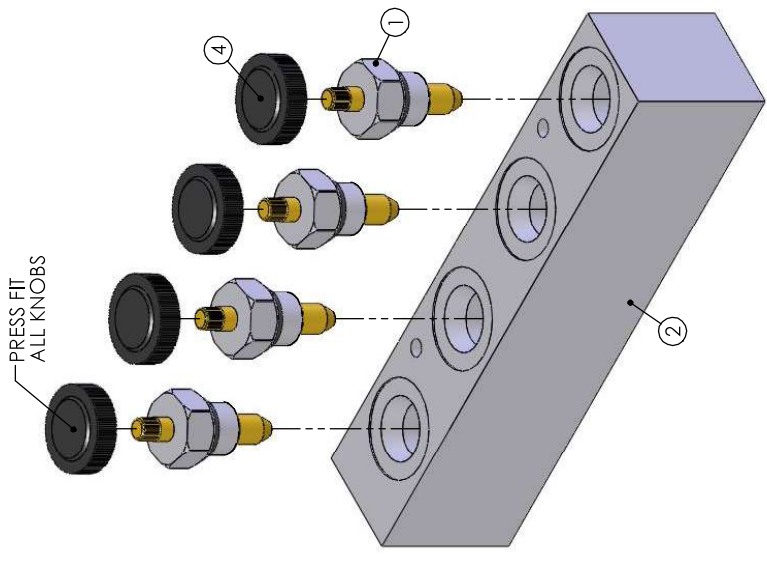


NOTES:

1. LABELS ARE CUSTOMIZED PER ORDER

REVISION HISTORY			DWR	APVD
REV	DATE	DESCRIPTION	RAW	SS
B	4/8/2010	CHANGED PART TO ASSEMBLY	RAW	SS
C	6/14/2010	ADDED 240523	RAW	SS
D	8/8/2013	ADDED (1) 336684 & NOTE # 1	MTH	PP
E	8/25/2014	UPDATED DESCRIPTION (ECN-SP-DE-13009)	NRL	RF



ITEM	PART NO.	CONFIG	DESCRIPTION	NAME	GA	QTY.
1	240523	Default	VALVE: PLUNGER ASSEMBLY - SAE#4	SUB ASSY		4
2	239150	Default	MANIFOLD: 5.06 X 1.25 X 1.000-4 ROOM MIRC	HYD FITTING		1
3	336684	Default	CHEMICAL RESIN, CUST PER ORD: LABEL	PURCH		1
4	240523	Default	KNOB: 3/4" O.D. PRESS ON	PURCHASE		4

4 ROOM STANDARD MIRC / FULL TURN

UNLESS OTHERWISE SPECIFIED:
 ALL DIMENSIONS ARE IN INCHES
 BREAK SHARP EDGES & DEBURR

UPPER COMPONENTS

TOLERANCES (EXCEPT AS NOTED)

DECIMAL	.X ± 1.1	DATE	05/22/2008	REV.	E
FRACTIONAL	.XXX ± .003	SIZE	B	DWG. NO.	134800
ANGULAR	± 1°	SCALE	1:1	ENG	RAW

203 COLLEGE AVE
 GOSHEN, IN 46526

PERMISSION OF UPPER COMPONENTS, INC. IS PROHIBITED.

THIS INFORMATION CONTAINED IN THIS DRAWING IS THE SOLE PROPERTY OF UPPER COMPONENTS, INC. ANY REPRODUCTION OR TRANSMISSION OF THIS INFORMATION WITHOUT THE WRITTEN PERMISSION OF UPPER COMPONENTS, INC. IS PROHIBITED.

THIRD ANGLE PROJECTION

FINISH 125

FILED R.015

SHEET 1 OF 1